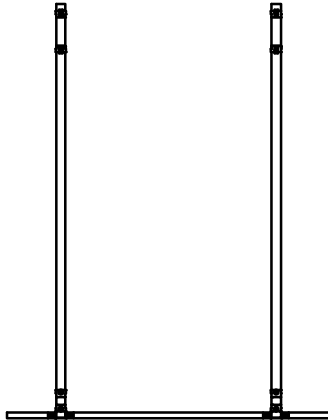


Flush Mount Frame Guide

18/06/2015

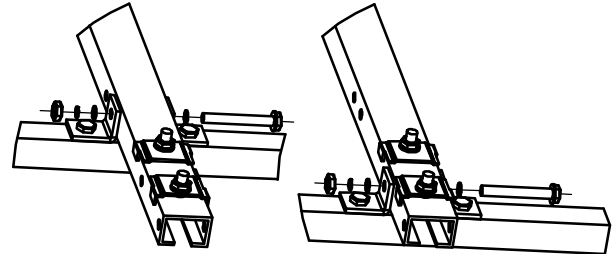
The Mounting Frame systems come pre-packaged to ensure the most streamlined and simple assembly process. Follow the steps below to assemble the flush mount frame.



Step 1:

Lay the first roof rail down horizontally and align the two front tracks in parallel to one another, and perpendicular to the bottom roof rail.

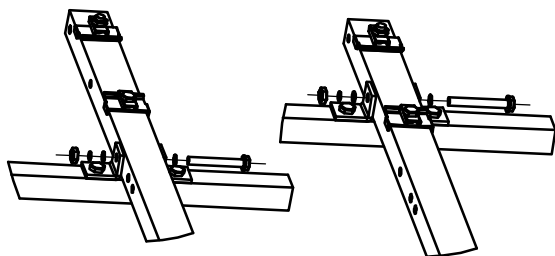
For Tilt mount frames, refer to the Tilt Mount Frame Assembly Guide.



1500mm spacing (bottom) 1800mm spacing (bottom)

Step 2:

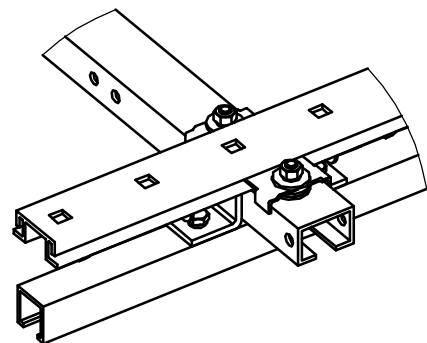
Attach the front tracks perpendicular to the bottom roof rail using L-brackets. Finger tighten all nuts and bolts. Ensure the track is placed in the right location based on the batten/purlin, spaced either 1500mm or 1800 apart.



1500mm spacing (top) 1800mm spacing (top)

Step 3:

Lay the top roof rail in parallel to the bottom roof rail, and attach the opposite ends of the front tracks to it using L-brackets. Finger tighten all nuts and bolts.



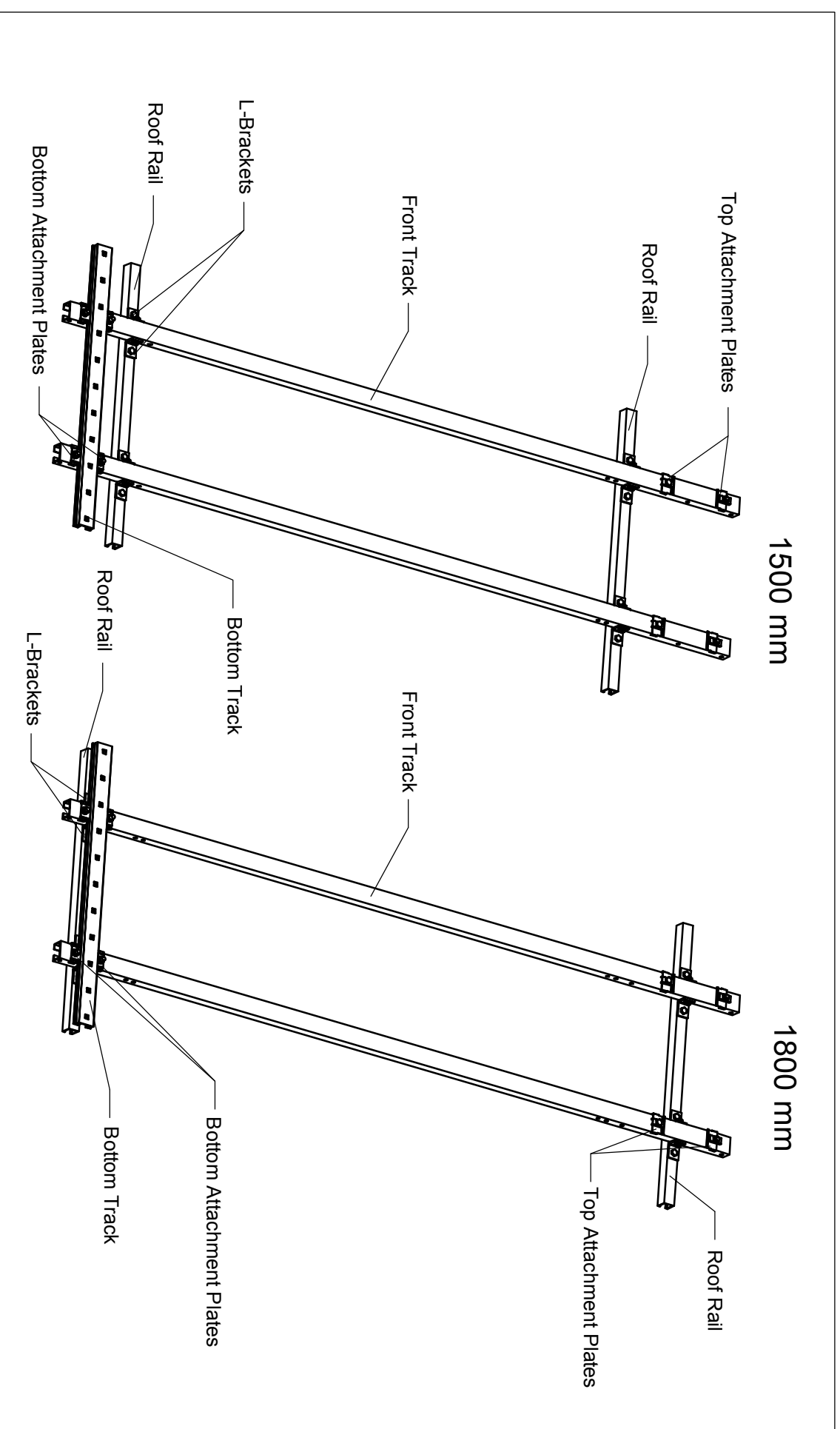
Step 4:

Slide the bottom track into the bottom attachment plates. Using a spanner, tighten all nuts and bolts used for attachments for all steps 1-4.

Flush Mount Frame Guide

18/06/2015

Refer to the figure below for a labelled diagram of a Flush Mount Frame.



Labelled Diagram of Flush Mount Frame

Apricus Australia